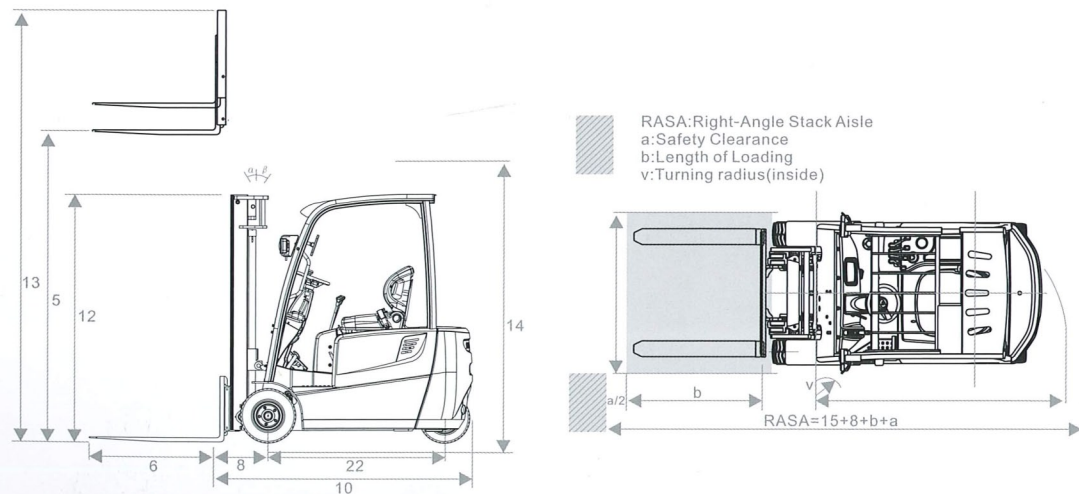


3-WHEEL ELECTRIC FORKLIFT 1.6-2.0 TON

General	1	Model	FB16S	FB18S	FB20S		
	2	Power Type	Electric	Electric	Electric		
3	Rated Capacity	kg	1600	1800	2000		
4	Load Centre	mm	500	500	500		
5	Lift Height	mm	3000	3000	3000		
Characteristic&Dimension	6	Fork Size	L×W×T	920x120x35	920x120x35	1070x120x40	
	7	Mast Tilt Angle	F/R	5°/7°	5°/7°	5°/7°	
	8	Front Overhang (Wheel center to fork face)	mm	410	410	410	
	9	Tread	F/R	930/208	930/208	930/208	
	10	Ground Clearance (Bottom of mast)	mm	90	90	90	
	11	Fork Spread	Min. / Max.	200/950	200/950	200/950	
	12	Overall Dimension	Length to face of fork(Without fork)	mm	2090	2090	2090
	13		Overall Width	mm	1100	1100	1100
	14		Mast Lowered Height	mm	2030	2030	2030
	15		Mast Extended Height(With backrest)	mm	4010	4010	4010
16	Overhead Guard Height	mm	2055	2055	2055		
17	Turning Radius (outside)	mm	1690	1690	1690		
18	Min. insecting aisle	mm	2300	2300	2300		
Performance	19	Speed	Travel (Empty load)	km/h	14	14	14
	20		Lifting(Full load)	mm/s	300	300	300
	21	Max.Gradeability	%	15	15	15	
Chassis	22	Tire	Front	18x7-8	18x7-8	18x7-8	
	23		Rear	16x6-8	16x6-8	16x6-8	
	24	Wheelbase	mm	1460	1460	1460	
	25	Service weight	kg	3000	3200	3400	
Power&Transmission	26	Motor	Drive Motor	kw	4.5x2	4.5x2	4.5x2
	27		Lift Motor	kw	8.6	8.6	8.6
	28	Battery	Voltage/Capacity	V/Ah	48/490	48/490	48/560
	29	Controller	Manufacturer	CURTIS	CURTIS	CURTIS	
	30		Type	AC	AC	AC	
	31	Operating Pressure for Attachment	Mpa	14.5	14.5	14.5	



1.6-2.0 TON 3-WHEEL ELECTRIC FORKLIFT MAST

Type	Model	Lift Height (mm)	Load Capacity (kg)			Overall Height (mm)			Free Lift (mm)		Tilt Angle
						1.6-2.0t			1.6-2.0t		
			1.6t	1.8t	2t	Mast Lowered	Mast Extended		Mast Extended		F/R(deg)
Wide view 2-stage mast	M200	2000	1600	1750	2000	1510	2945	2545	-	-	6/6
	M250	2500	1600	1750	2000	1760	3445	3040	-	-	6/6
	M300	3000	1600	1750	2000	2010	3945	3540	-	-	6/6
	M330	3300	1600	1750	2000	2160	4245	3840	-	-	6/6
	M350	3500	1600	1750	1800	2260	4445	4040	-	-	6/6
	M370	3700	1500	1650	1750	2360	4645	4240	-	-	6/6
	M400	4000	1450	1600	1700	2560	4945	4540	-	-	6/6
	M450	4500	1350	1450	1600	2810	5445	5040	-	-	3/6
	M500	5000	1100	1300	1450	3060	5945	5540	-	-	3/6
	M550	5500	900	1100	1150	3360	6445	6075	-	-	3/6
Full free 3-stage mast	M600	6000	650	850	950	3610	6945	6575	-	-	3/6
	S370	3700	1500	1700	1850	1750	4540	4140	830	1270	5/7
	S400	4000	1400	1650	1750	1875	4915	4515	955	1395	5/7
	S435	4350	1280	1600	1700	2000	5290	4890	1080	1520	5/7
	S450	4500	1250	1550	1650	2050	5440	5040	1130	1570	5/7
	S480	4800	1200	1450	1600	2150	5740	5340	1230	1730	5/7
	S500	5000	1100	1400	1500	2300	5945	5560	1380	1800	5/7
	S550	5500	950	1200	1300	2465	6445	6060	1545	1865	5/7
	S600	6000	600	800	900	2650	6945	6585	1730	2025	5/7

3-WHEEL
1.6-2.0Ton
ELECTRIC FORKLIFT

